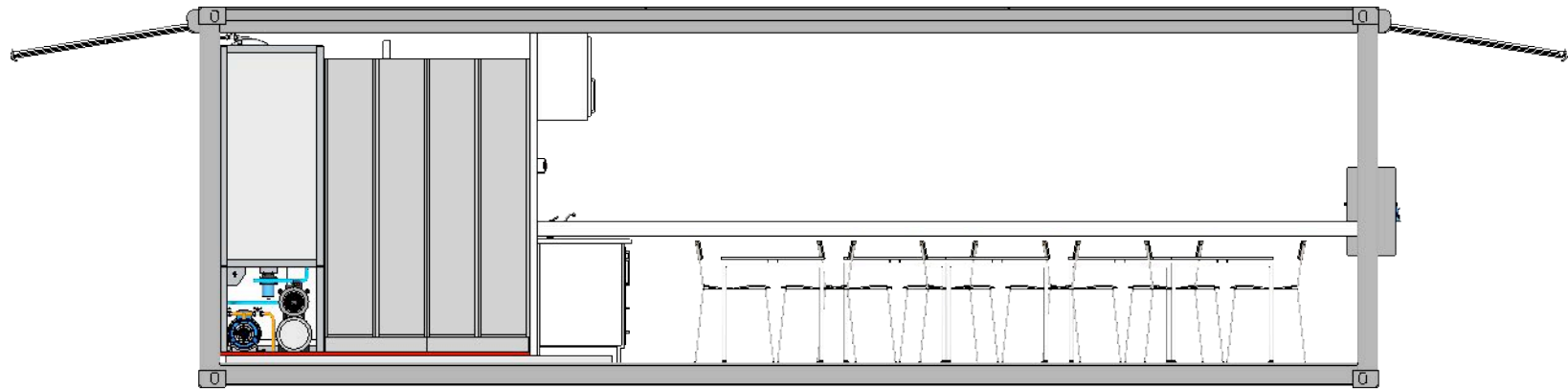
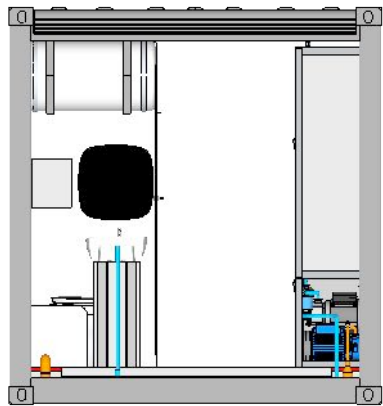
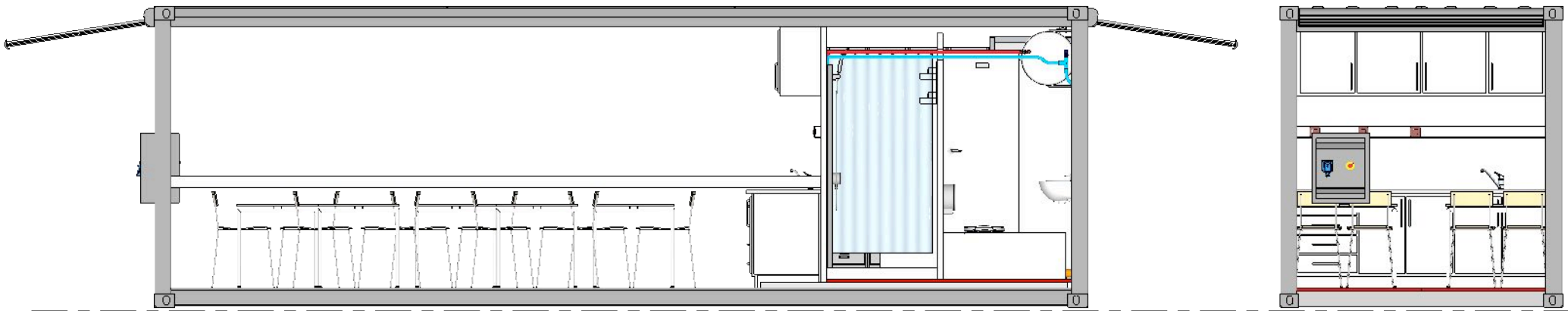


Project / Model
22.010
8 mt. Mobile Cafe-Bathroom

Info
 Iso Container

Date : 16.01.2023
 Rev. : 00.03
 Per. : Metin ALCAR
 Tel. : 0544 242 04 91
 Mail : sales@aluratrailer.com

A 01

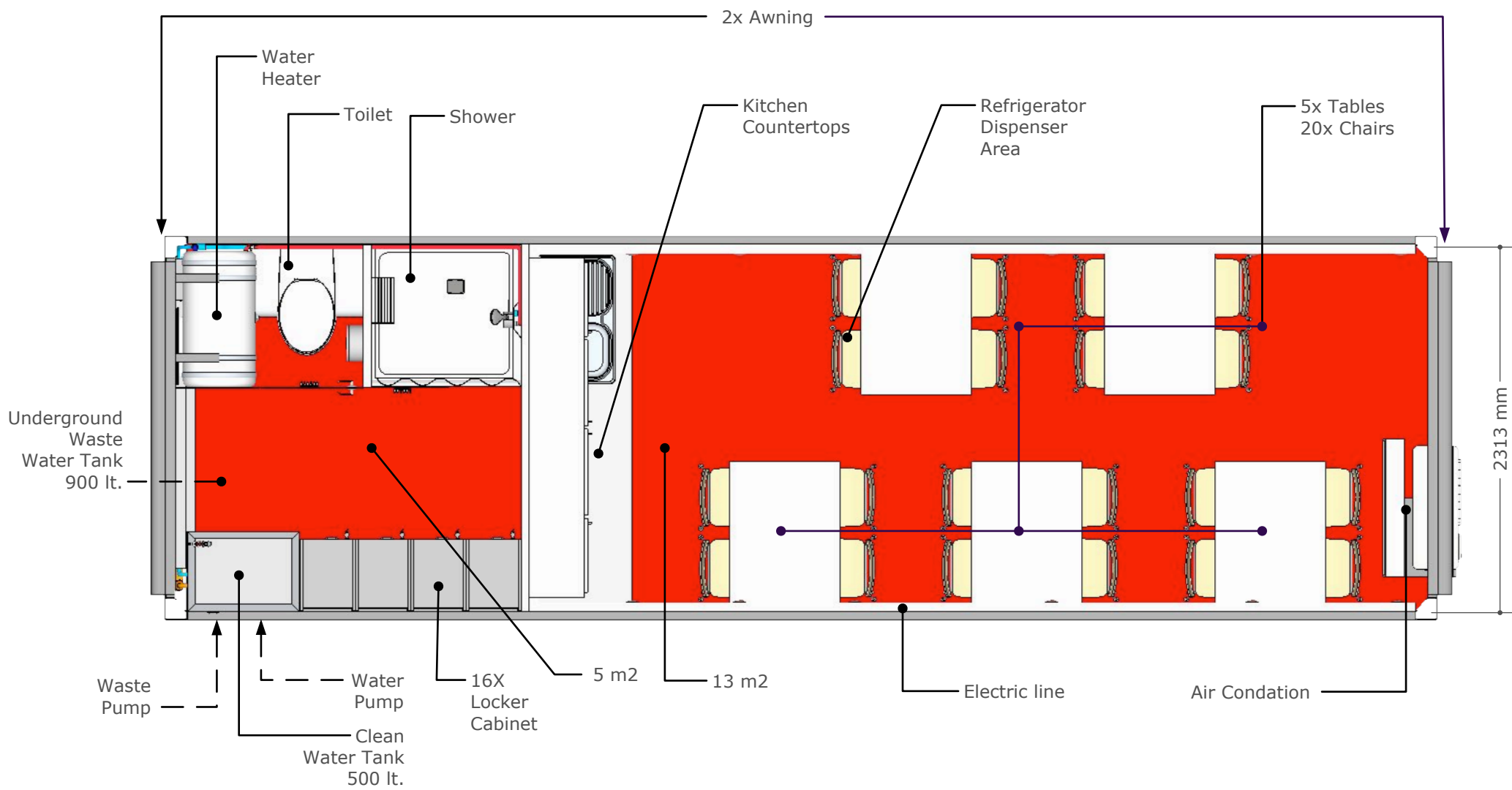


Project / Model
22.010
8 mt. Mobile Cafe-Bathroom

Info
 Iso Container

Date : 16.01.2023
 Rev. : 00.03
 Per. : Metin ALCAR
 Tel. : 0544 242 04 91
 Mail : sales@aluratrailer.com

A 02





Project / Model

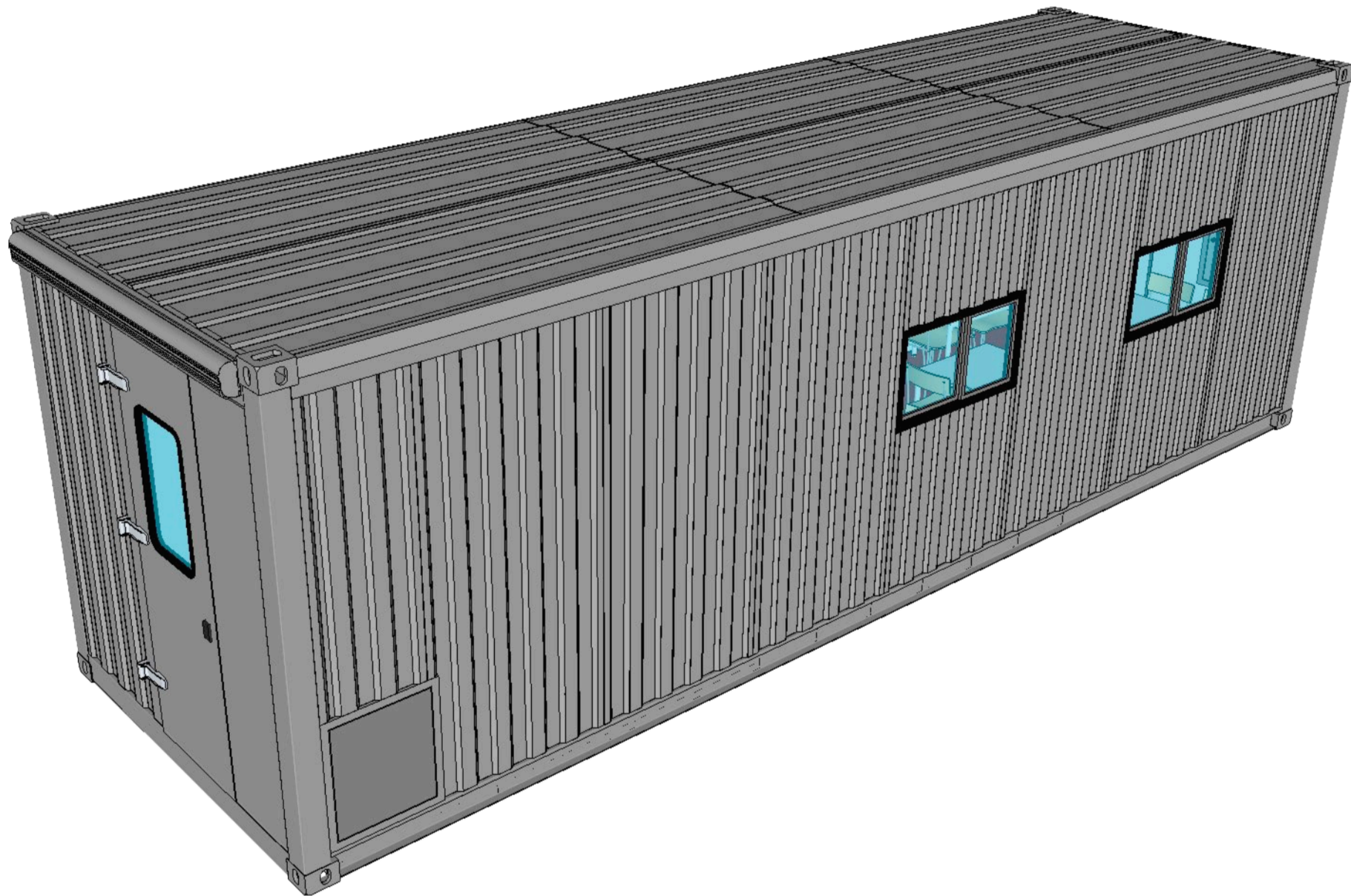
22.010
8 mt. Mobile Cafe-Bathroom

Info

Iso Container

Date : 16.01.2023
Rev. : 00.03
Per. : Metin ALCAR
Tel. : 0544 242 04 91
Mail : sales@aluratrailer.com

A 04



Project / Model

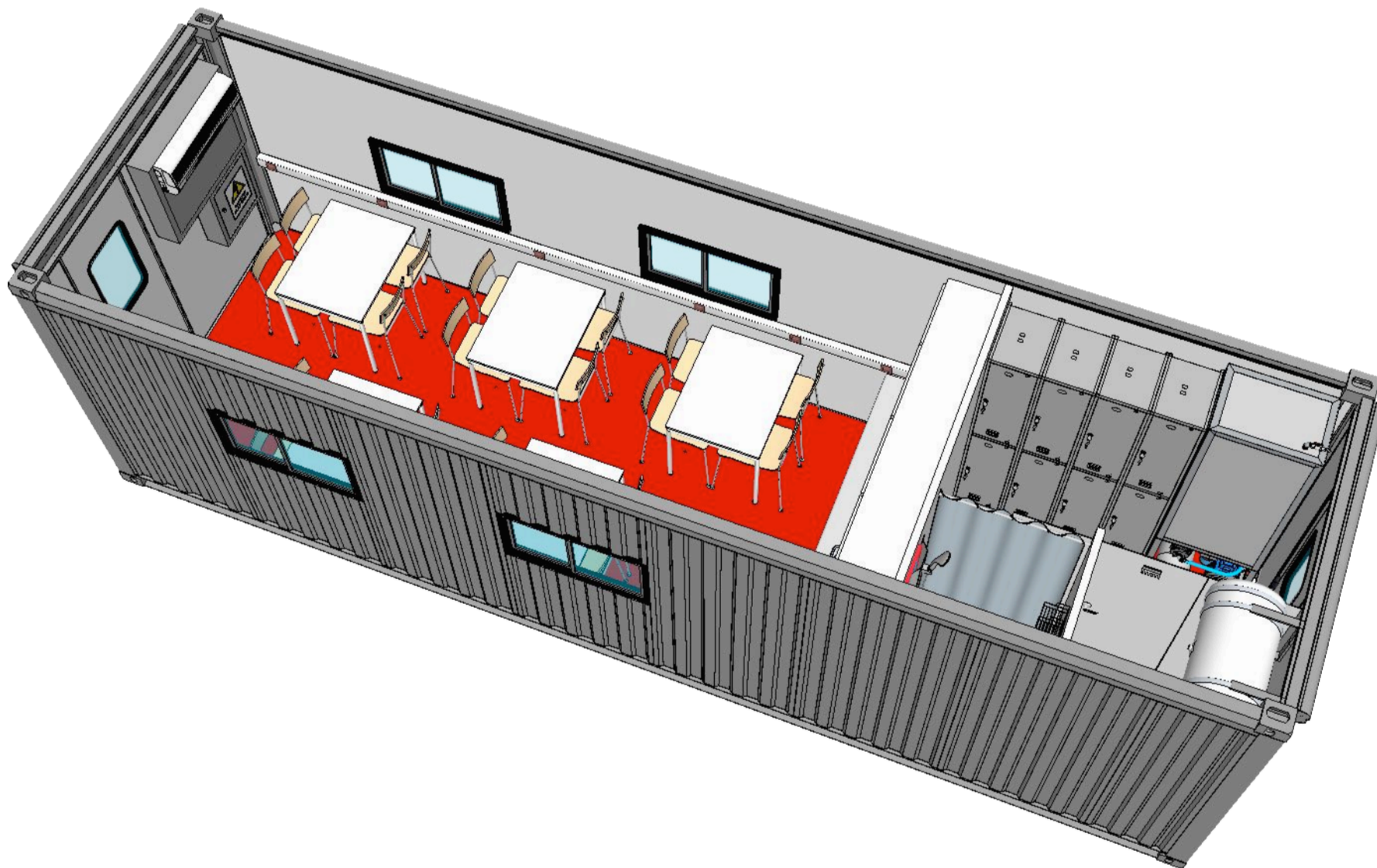
22.010
8 mt. Mobile Cafe-Bathroom

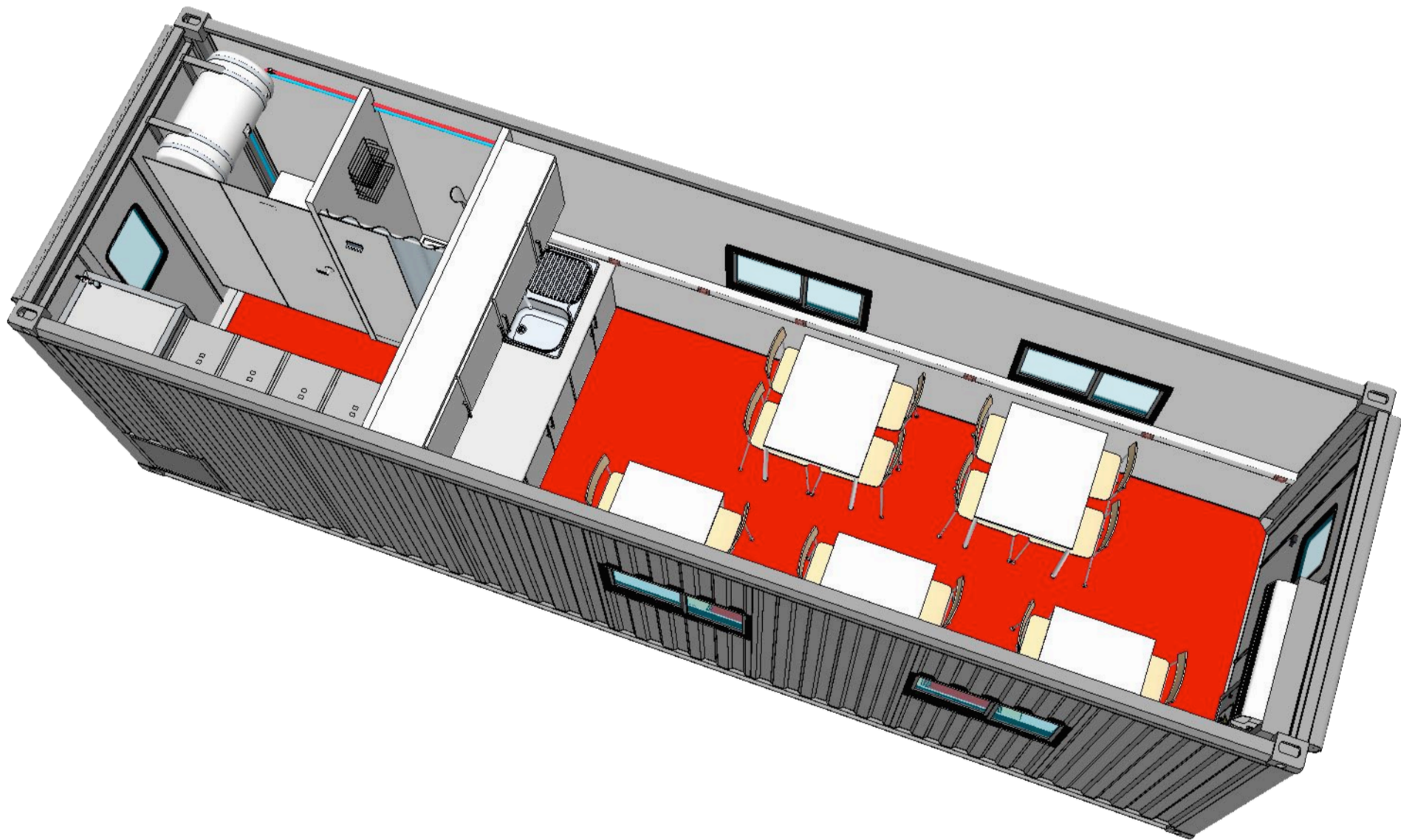
Info

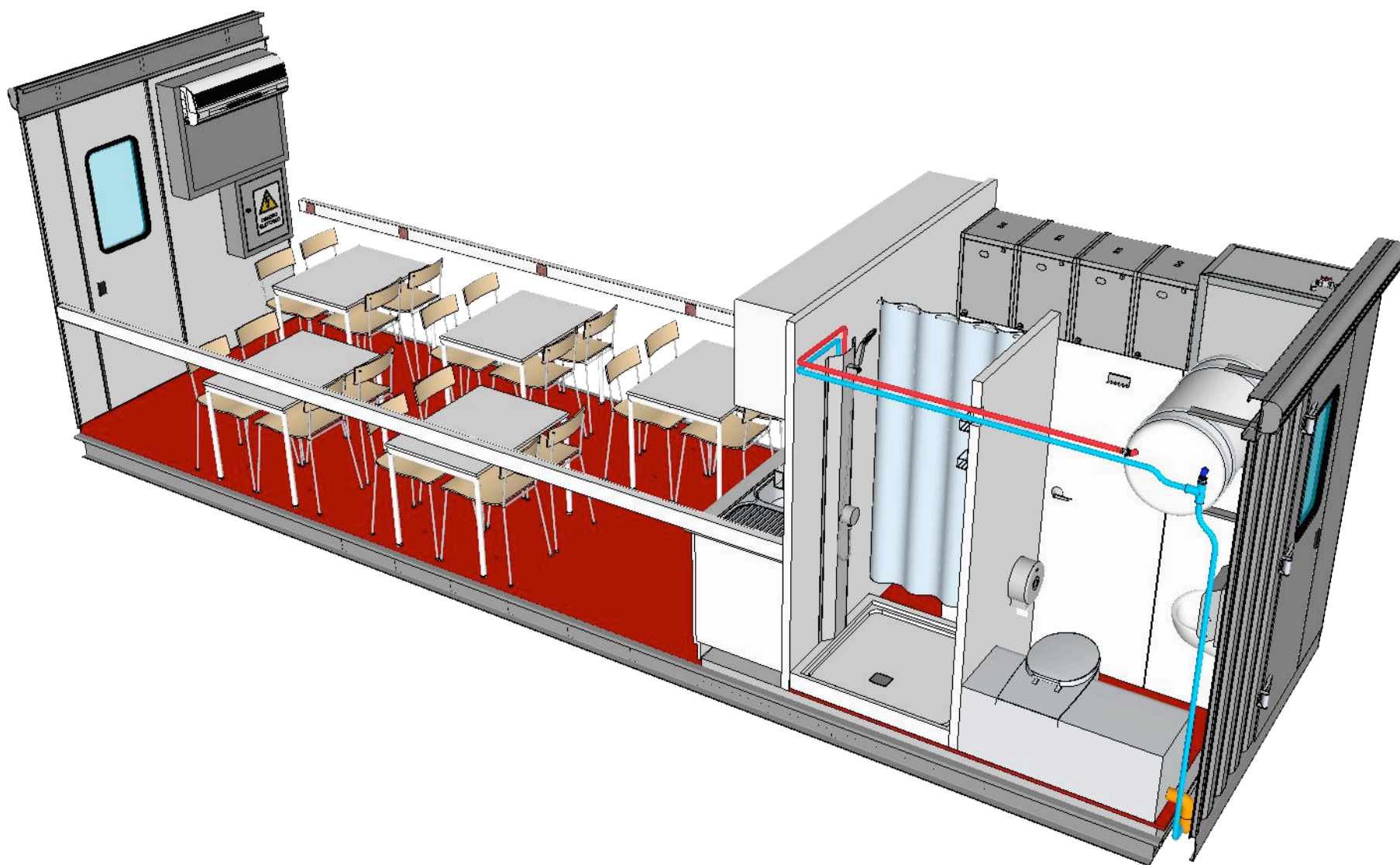
Iso Container

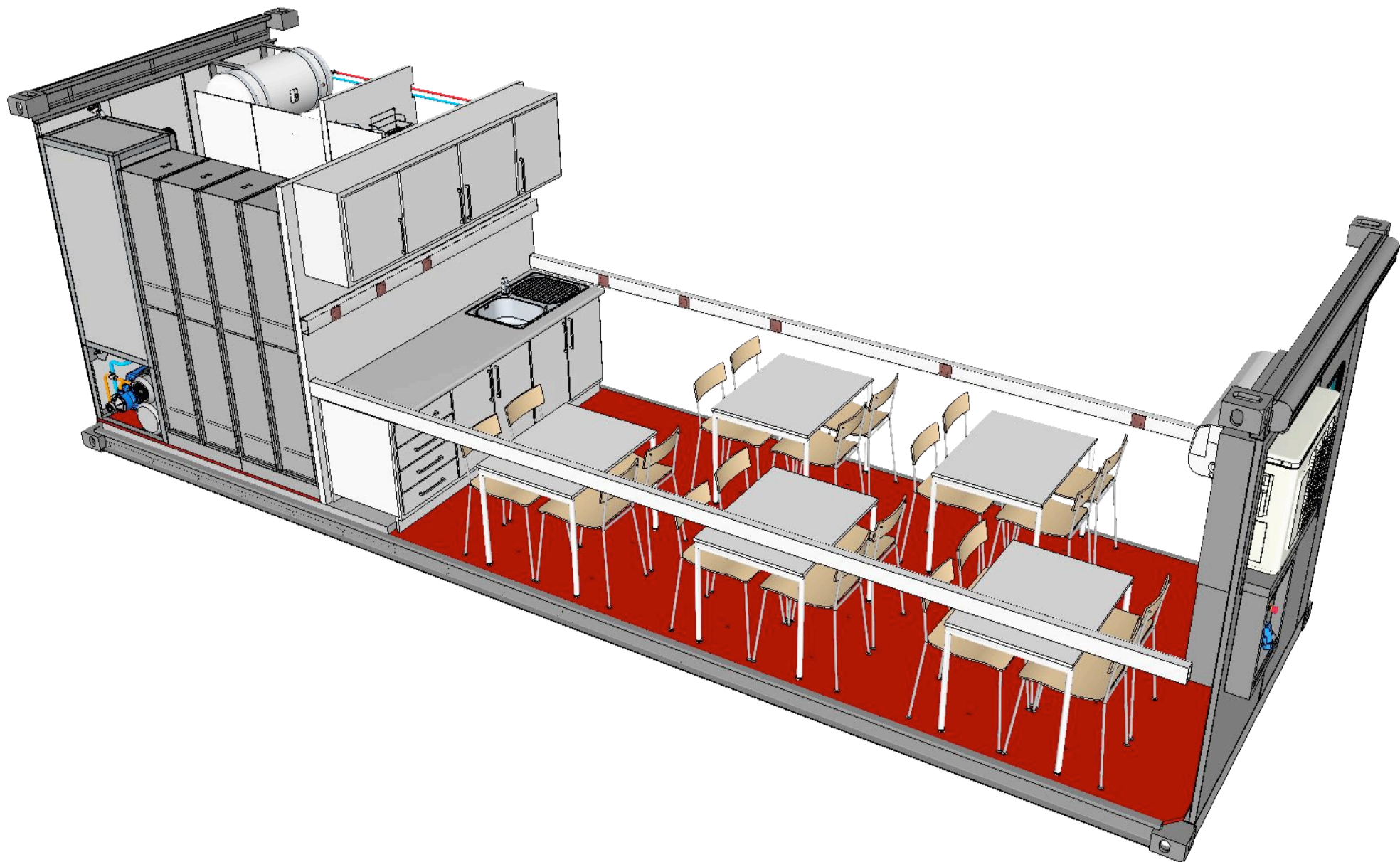
Date : 16.01.2023
Rev. : 00.03
Per. : Metin ALCAR
Tel. : 0544 242 04 91
Mail : sales@aluratrailer.com

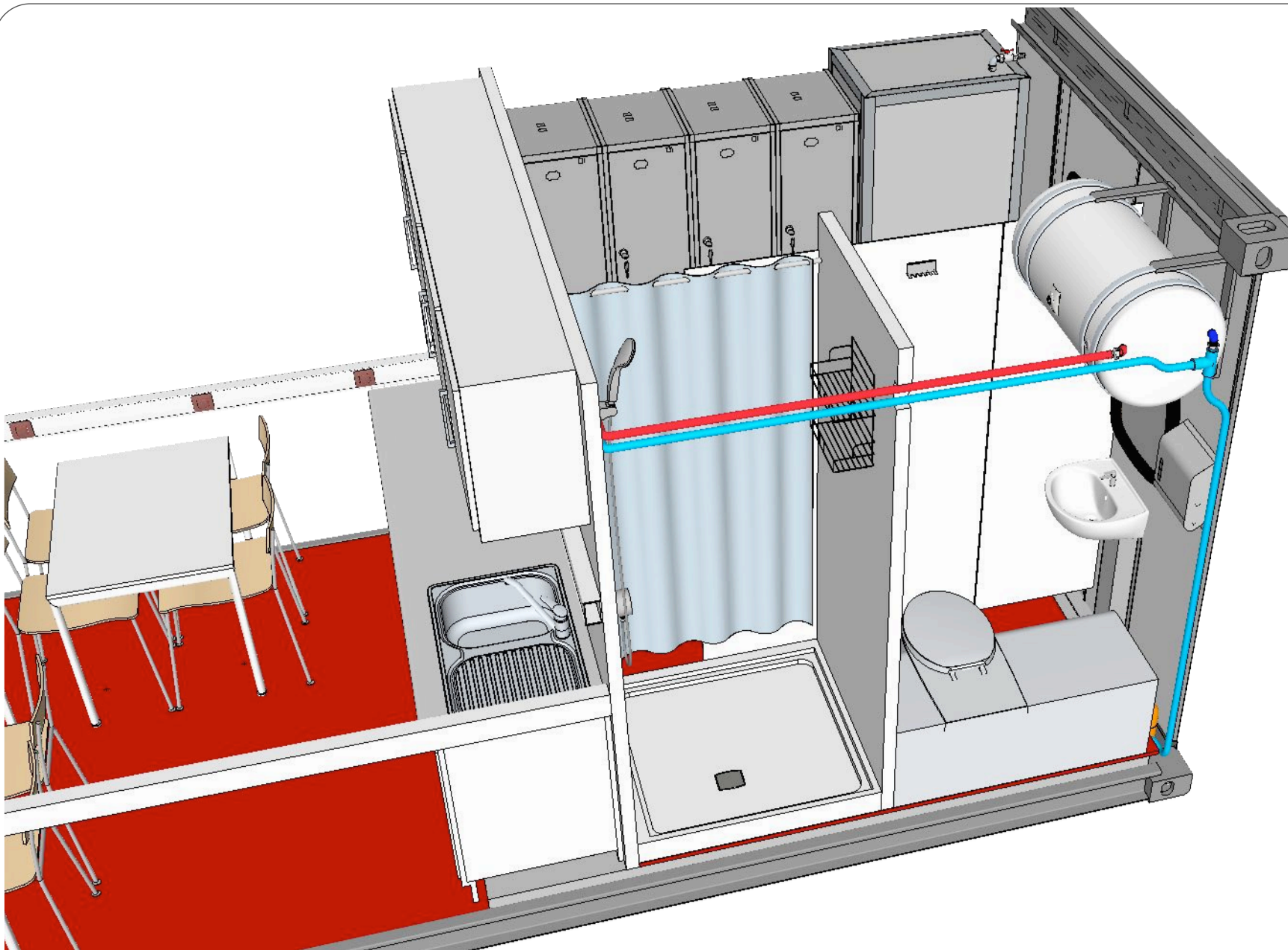
A 05

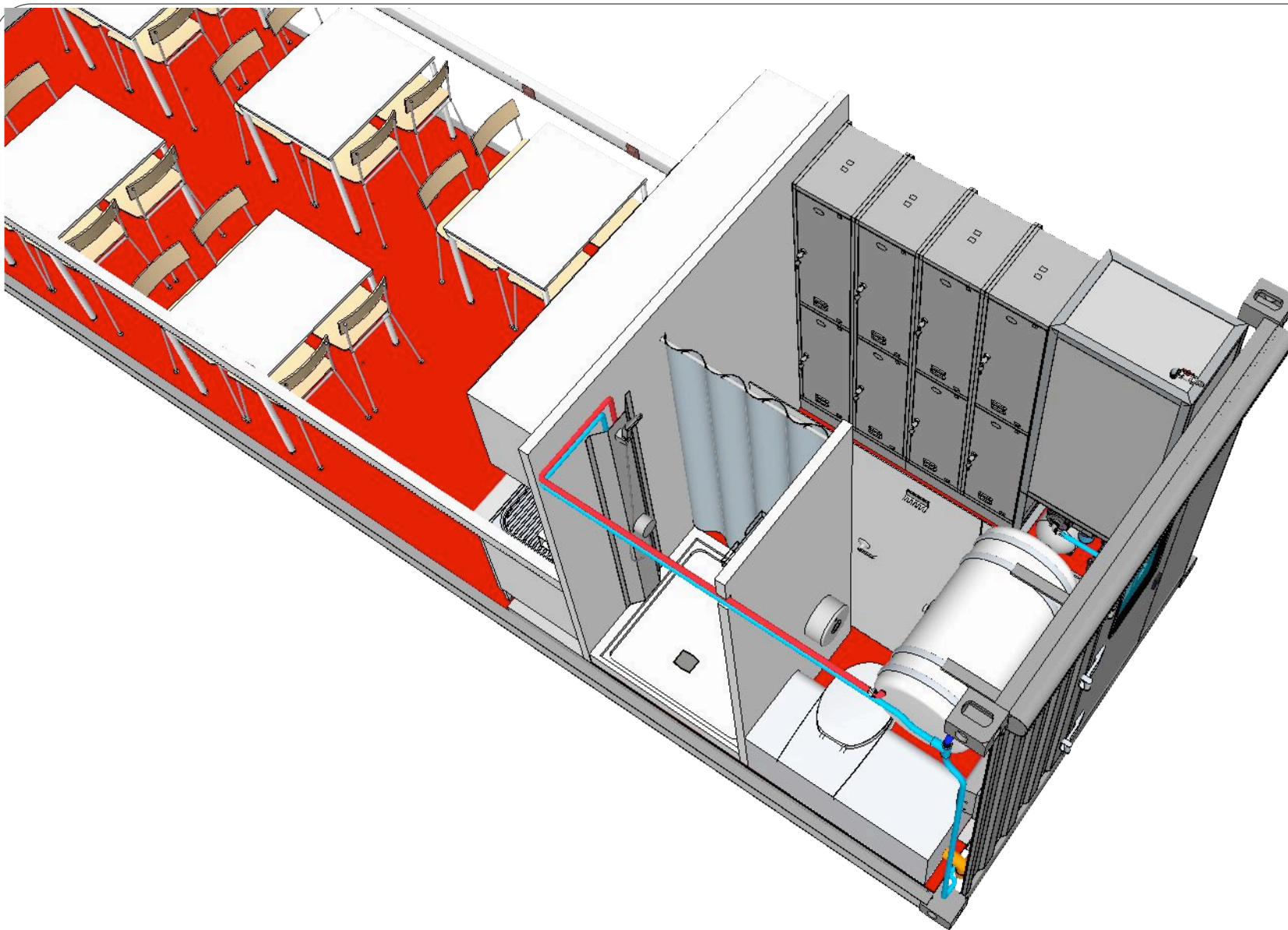


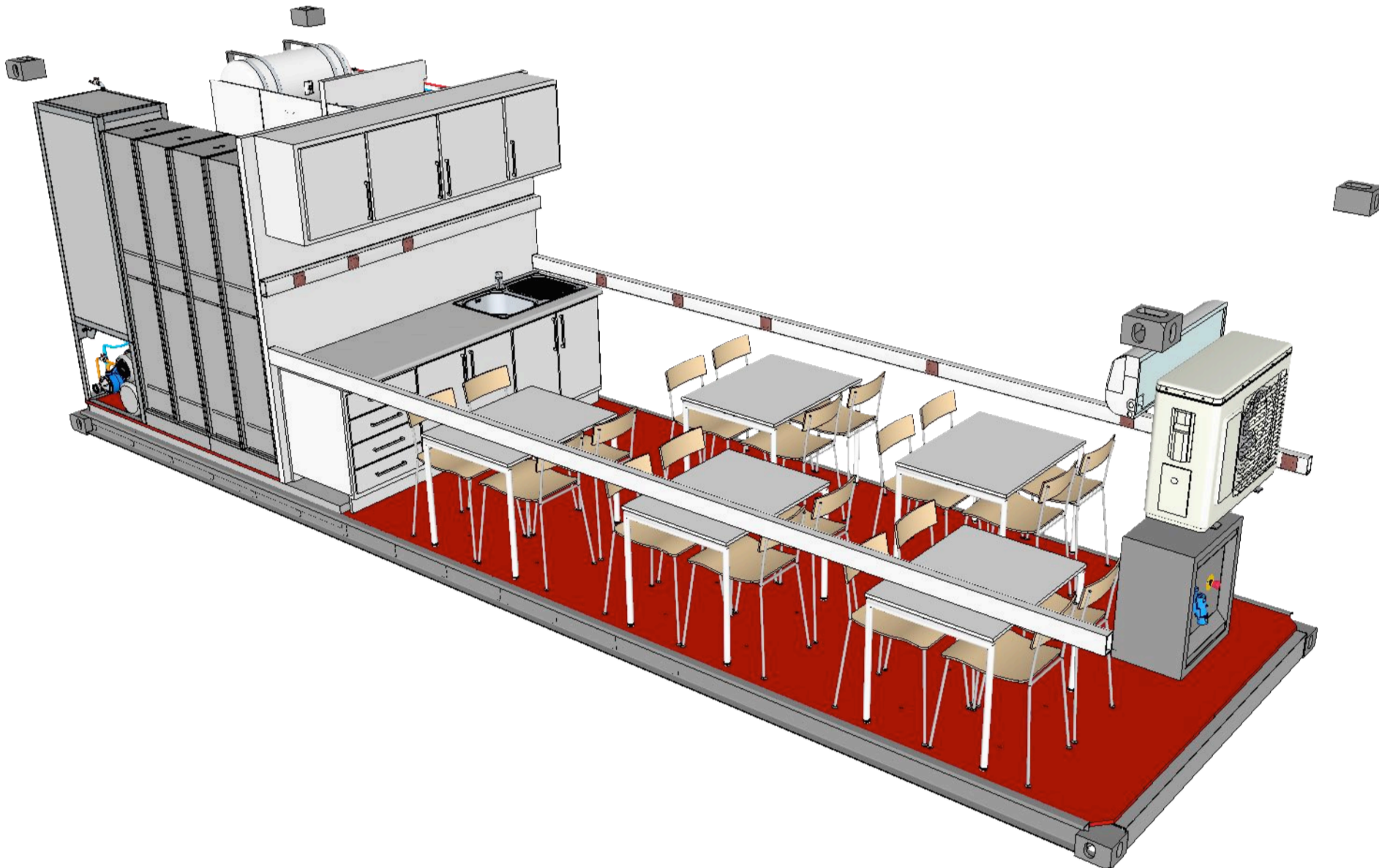


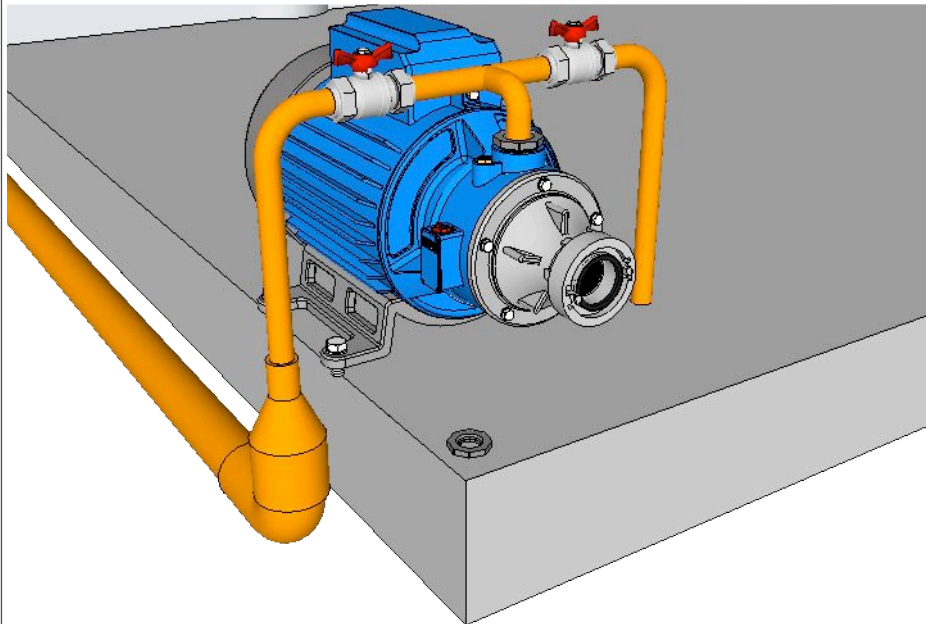
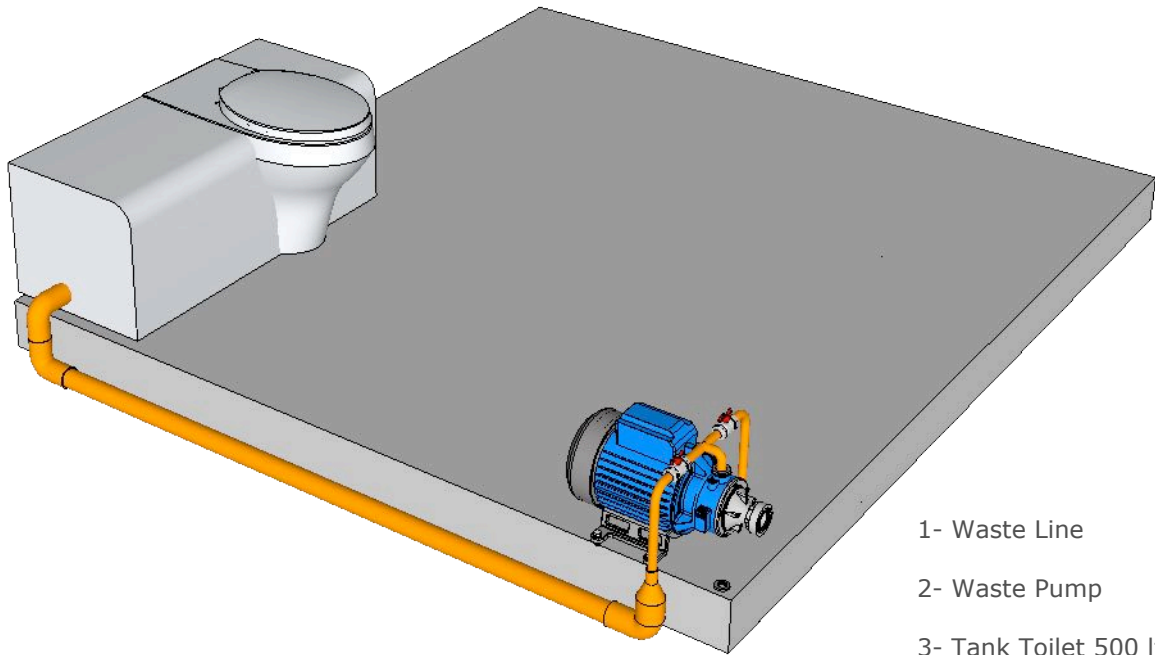




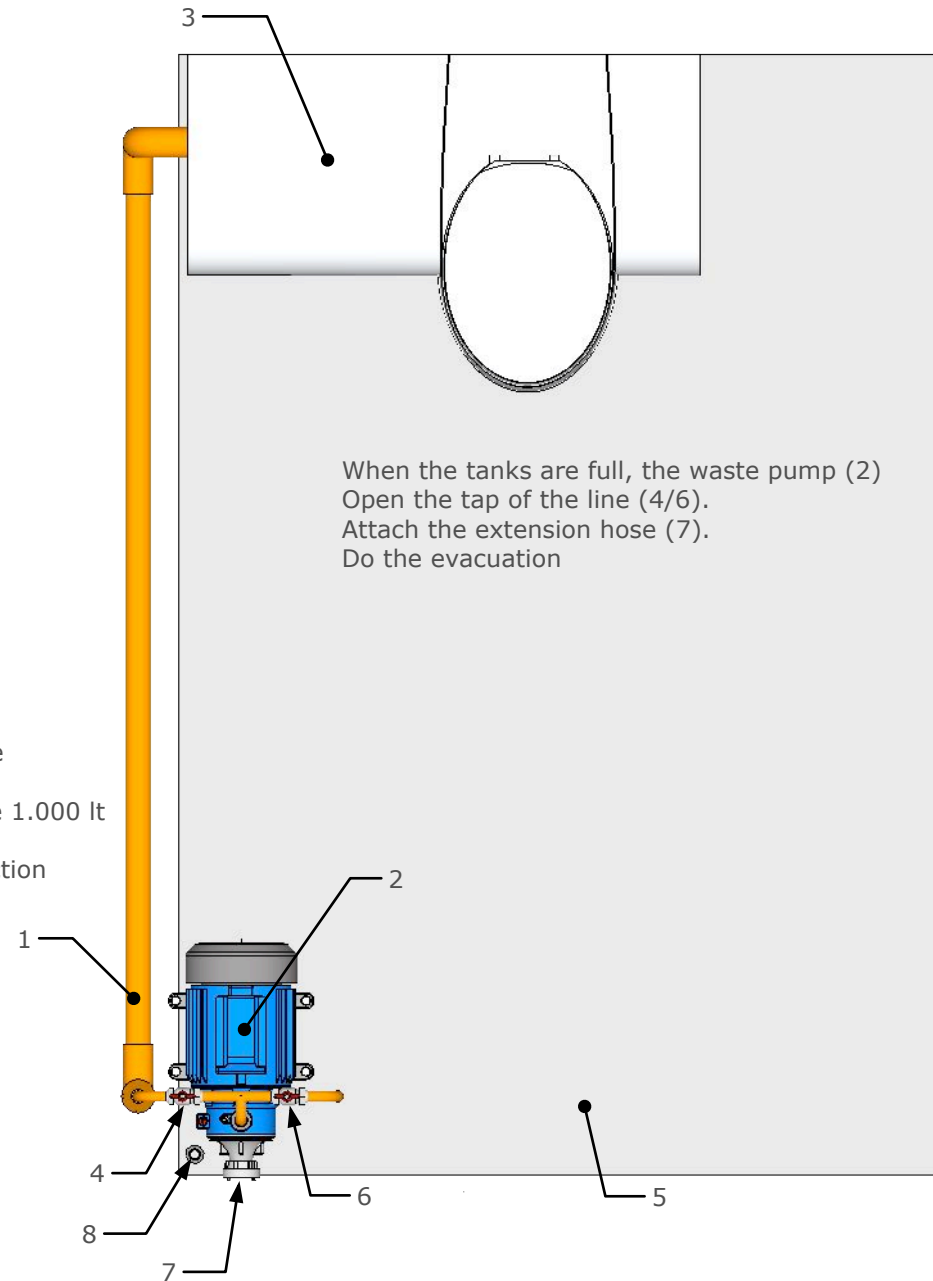


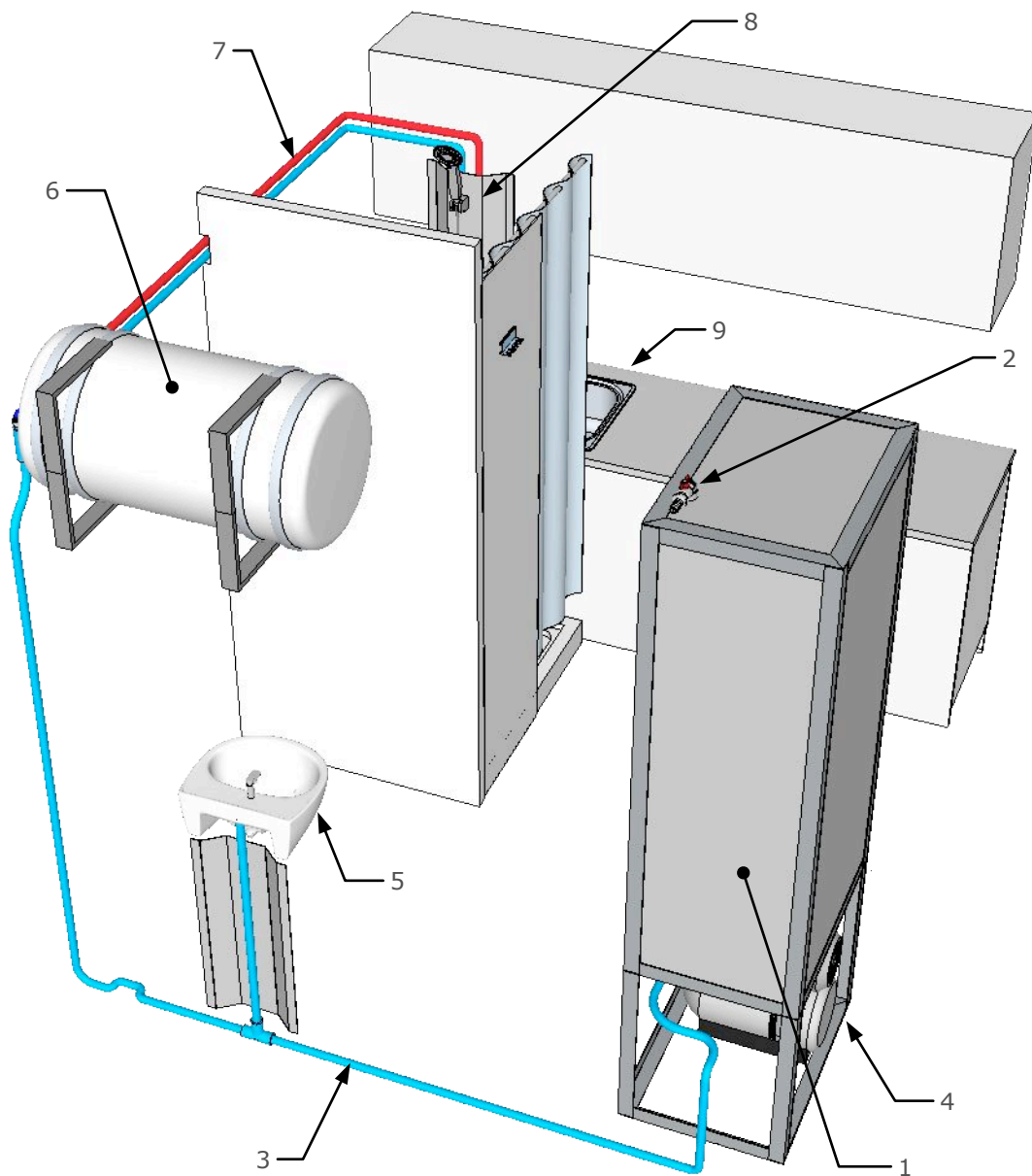






- 1- Waste Line
- 2- Waste Pump
- 3- Tank Toilet 500 lt
- 4- Toilet Valve
- 5- Waste Warehouse
- 6- Waste Tank Valve 1.000 lt
- 7- Extension Connection
- 8- Airborne





- 1- Clean Water Tank
- 2- Clean Water Inlet
- 3- Clean Water Line
- 4- Water Pump
- 5- Sink
- 6- Water Heater
- 7- Hot Water line
- 8- Shower
- 9- Kitchen Sink

