

Project / Model

22.017

Mobile Workshop 6 mt.

Info

...

Date : 19.12.2022

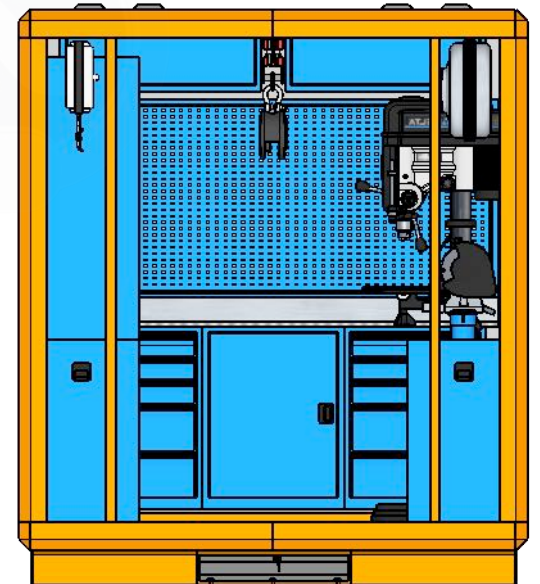
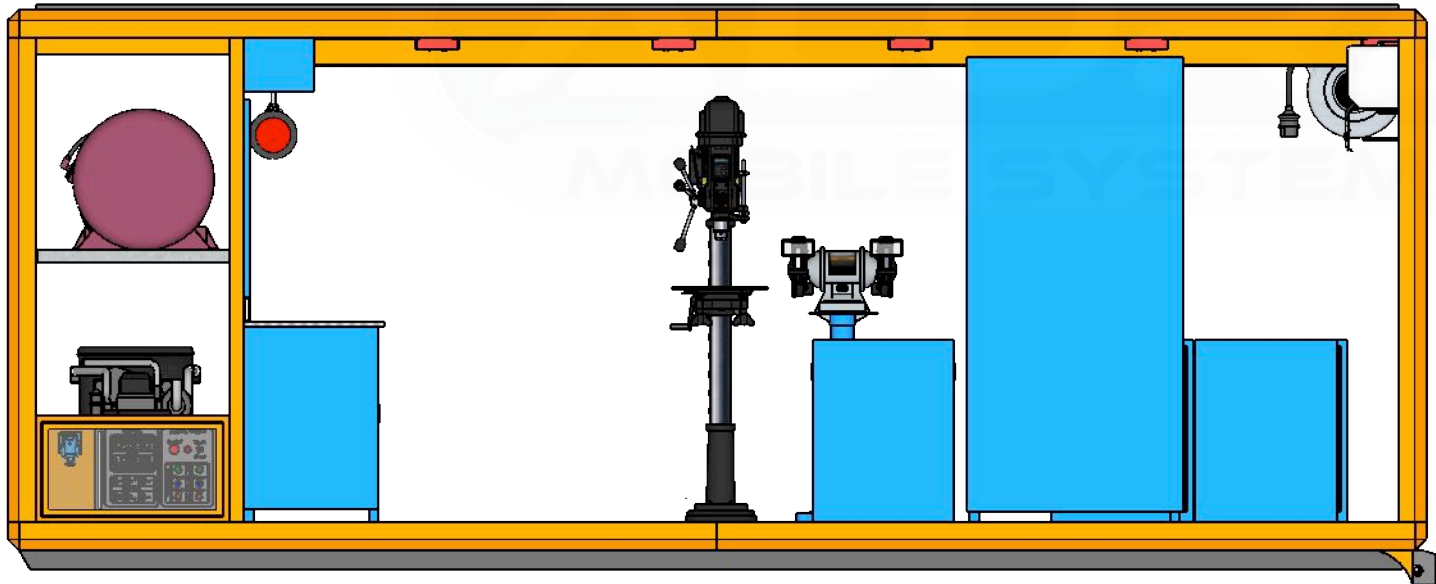
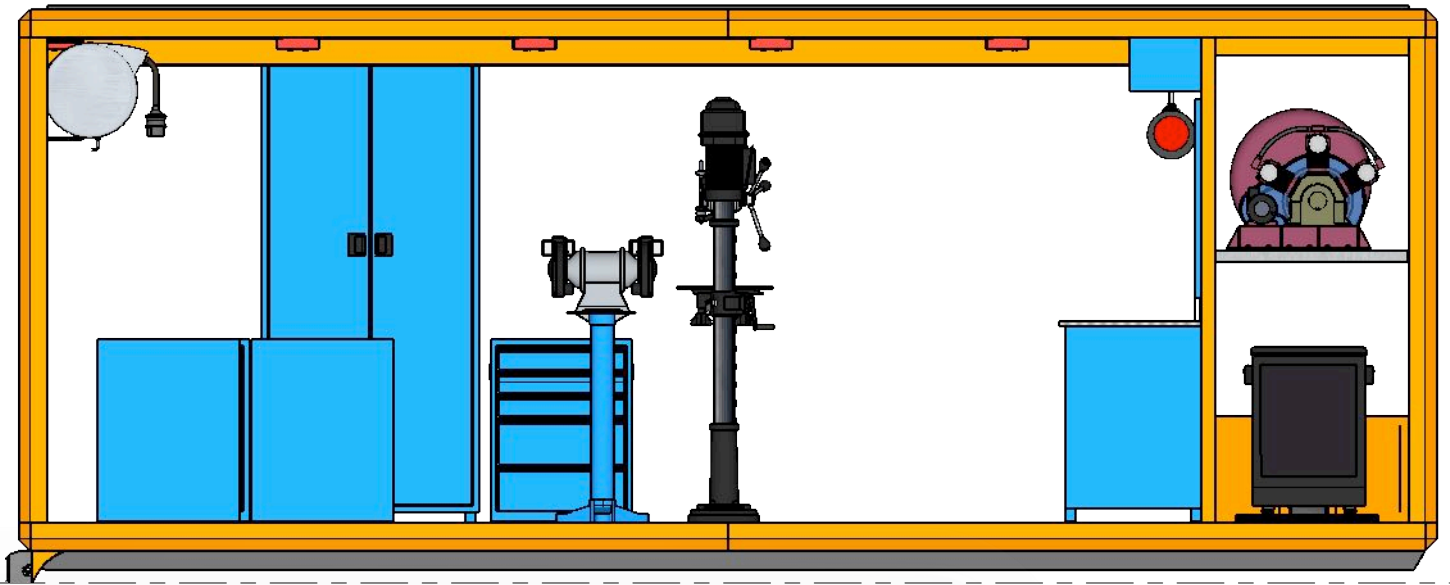
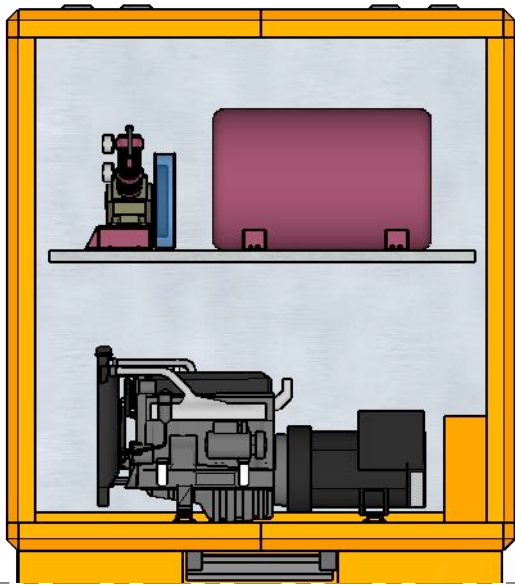
Rev. : 00.00

Per. : Metin ALCAR

Tel. : 0544 242 04 91

Mail : sales@aluratrailer.com

A 01



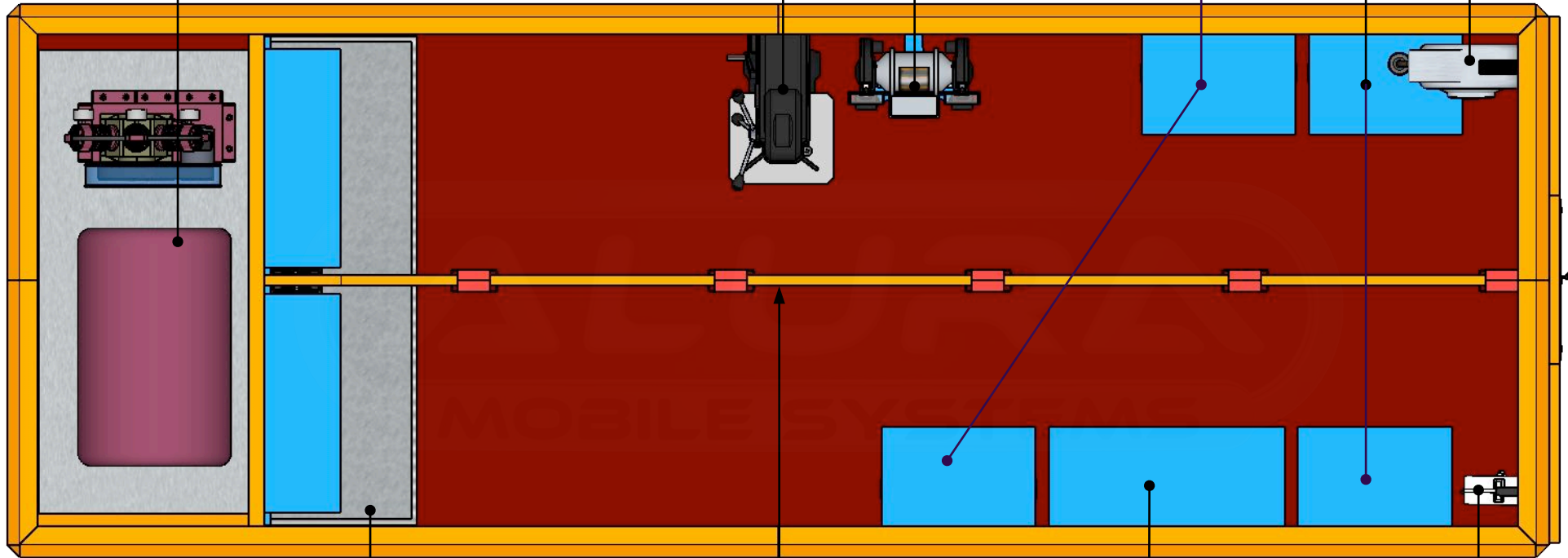
Air Compressor
Air Tank: 500 lt
Pressure : 12 bar

Table Top Grinding Machine
Grinding disc diameter : 200 mm
No-load speed: 3,600 rpm

Electric Reel
Cable: 15mt.
Auto Rewind

Column Drill
Drilling Capacity: 32mm
Mors Hive: 4 Hives

Metal Drawer
4 pcs



Genrator

Workbench

Crane
Capacity : 1500 kg.

Material Cabinet

Air Reel
Hose: 13 mt.
Auto Rewind





