

Electric Winch Operating Instructions

Electric Mini Crane is an ideal lifting device for industrial enterprises and workshops. It is designed to lift heavy loads easily, with a weight lifting capacity of 600 to 1200 kilograms. Thanks to the motorized roller crane system, you can lift loads quickly and easily. In addition, thanks to its remote control feature, you can do your work more efficiently.

With its powerful motor, high performance and durable construction, this electric mini Crane is an ideal device for industrial use. Its compact design is suitable for use even in tight spaces. It is made of high quality materials for long-lasting use and can be used for a long time without fatigue thanks to its ergonomic design.

Mini Crane is also designed for the safety of your business. It is safe and easy to use. In addition, it is conveniently sized and lightweight for transport and storage. With its high performance and durable structure, this device is a frequently preferred lifting device in industrial areas such as the construction sector, production facilities and workshops.



MV1200 600-1200kg Electric Mini Crane

Designed for businesses that care about security, the MV1200 Crane is safe and easy to use. This feature helps businesses get their employees to do their jobs more efficiently. The five highlights of this product are as follows:

✓ High Lifting Capacity

The MV1200 Crane has a lifting capacity of 600 to 1200 kilograms. This is an ideal device for businesses that need to lift heavy loads, such as industrial businesses and workshops.

✓ Compact Design

Thanks to its compact design feature, the crane is an ideal option for customers who have space problems in industrial enterprises. The device is designed to occupy a small footprint, which means users can use it even in restricted areas. The device is also very easy to transport and store thanks to its compact design. Ideal for mobile businesses, this feature allows the device to be moved to various areas.

✓ Control by Remote Control

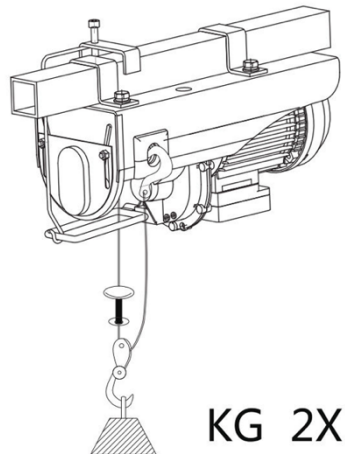
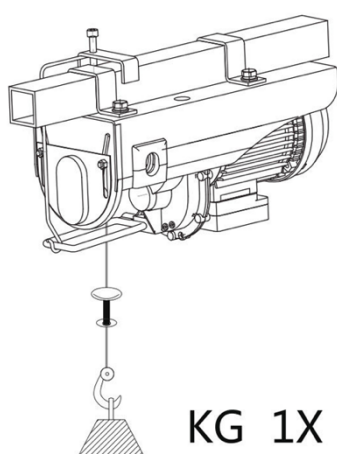
Thanks to its remote control feature, it provides fast and easy lifting of loads. This feature provides businesses with a safer work environment for their employees.

✓ Powerful Engine

With its powerful motor, high performance and durable construction, this electric mini Crane is an ideal device for industrial use. Thanks to the motorized roller crane system, you can easily lift loads. In addition, thanks to its ergonomic design, it can be used for a long time.

✓ Safe and Easy to Use

Electric Mini Crane is a device preferred by businesses with its safe and easy-to-use feature. Safety measures include safety interlocks and limiters on the winch. This helps the operator to lift the load safely and helps prevent any accident. In addition, the remote control feature allows the operator to control the load from a safe distance. This feature helps the operator monitor the movement of the load and intervene quickly when needed.



How to Use Electric Mini Crane?

Electric Mini Crane is a device used to lift various loads. The usage steps of this product are as follows:

- The crane is electrically powered, so it must first be connected to a suitable electrical source. The crane can be used with a 220V socket.
- The load must be attached to the winch rope as the item to be lifted. This connection must be tight and secure.
- Adjust the length of the rope. Depending on the height of the load to be lifted, you must choose the correct length of the rope.
- The crane is operated via buttons and levers located on the control panel. You can use these buttons to control uninstalls and downloads.
- Lift the load slowly using the hoisting function of the crane. When the load reaches the desired height, the crane should be stopped and the load placed securely.
- After using the winch, the power supply should be cut off and the winch rope should be unloaded. Thus, the crane is made ready and ready for the next use.

Electric Mini Crane is a device that makes lifting easy and safe. By following these steps, you can use your crane safely and correctly.

Maintenance of Electric Winches.

Electric winches use powerful motors and gearboxes to lift workloads. Therefore, regular maintenance of cranes is very important. Maintenance of cranes extends their working life by reducing wear and replacing wear parts. Here are some steps you need to know about maintaining electric winches:

Cleaning

Electric winches should be cleaned regularly. Dust, pollution and moisture can affect the operation of cranes. Cleaning the cranes can be done with water or a damp cloth. However, water or damp cloth should not be used while cleaning the electrical parts of the cranes.

Lubrication

Gear boxes and other moving parts of cranes should be lubricated regularly. This reduces wear on parts, allowing cranes to operate more efficiently. However, it is important to use the correct oil and amount during the lubrication process.

Controls

Cranes need to be checked regularly. This allows any wear or damage to be detected during the operation of the winches. Brakes, ropes and other parts should be inspected during checks. Performing the checks specified in the crane's operating manual ensures safe and effective operation of the cranes.