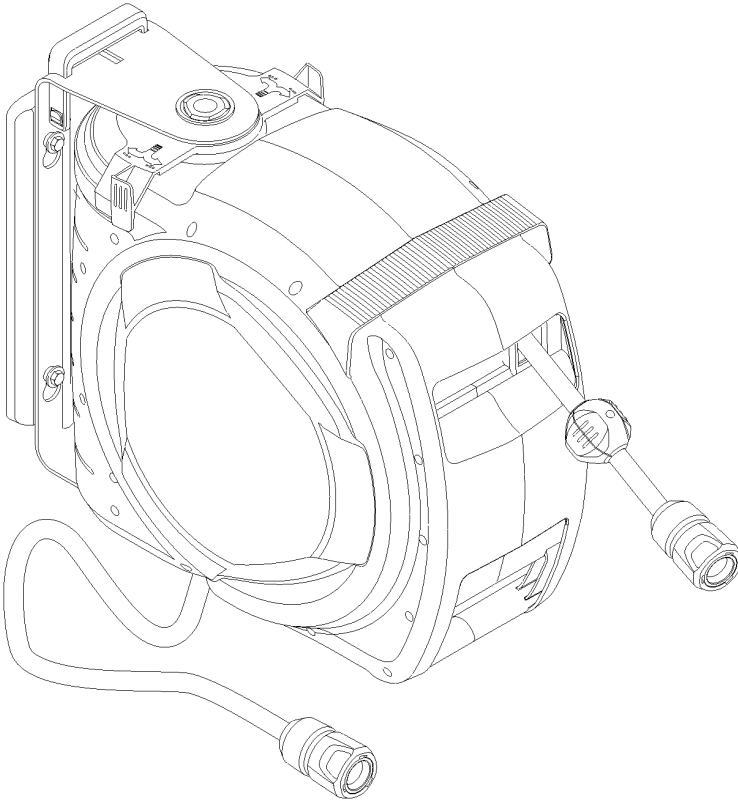


KÄRCHER

makes a difference

Premium Reel CR 7.220 Automatic



Deutsch	5
English	8
Français	11
Italiano	14
Nederlands	17
Español	20
Português	23
Dansk	26
Norsk	29
Svenska	32
Suomi	35
Ελληνικά	38
Türkçe	41
Русский	44
Magyar	48
Čeština	51
Slovenščina	54
Polski	57
Românește	60
Slovenčina	63
Hrvatski	66
Srpski	69
Български	72
Eesti	75
Latviešu	78
Lietuviškai	81
Українська	84

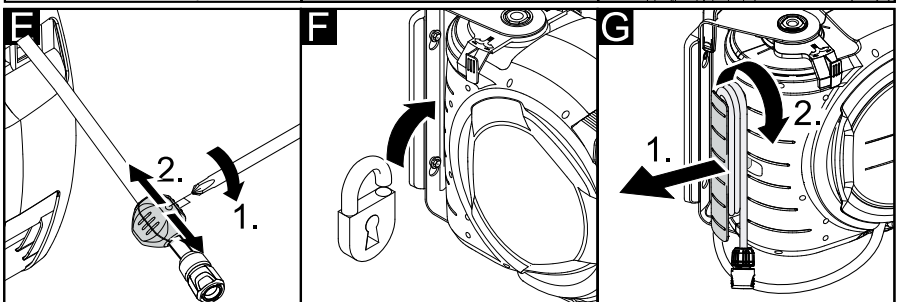
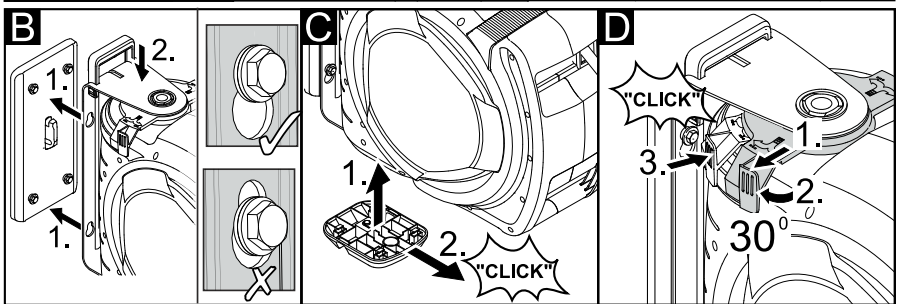
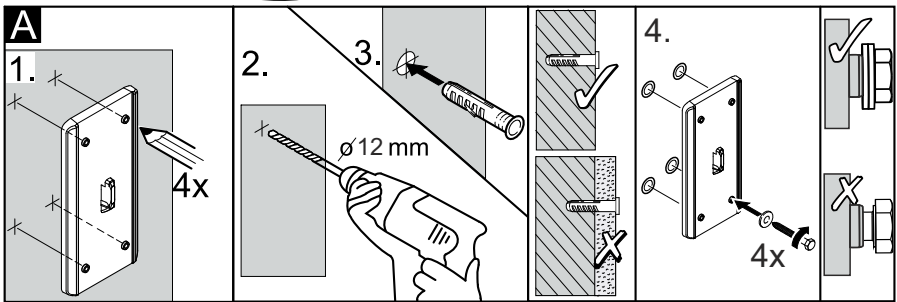
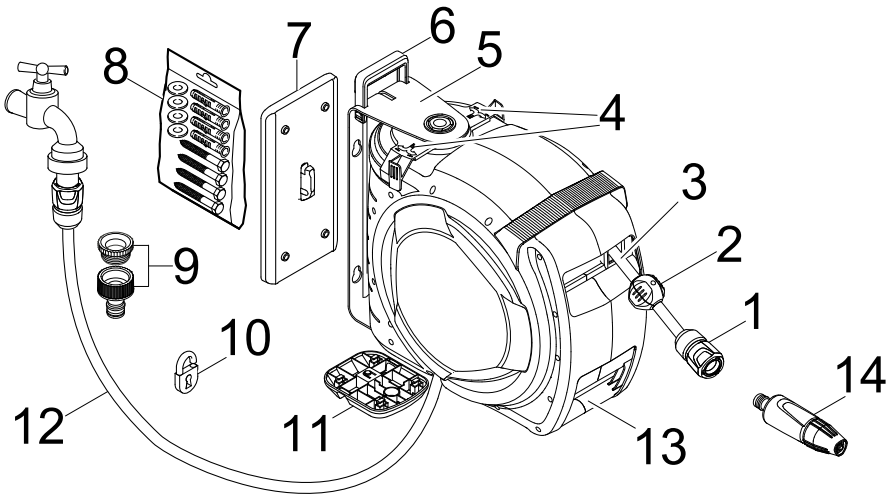
Register and win!
www.kaercher.com/register-and-win



EAC



59669700 0G2016



Contents

General notes	EN . . . 1
Safety instructions	EN . . . 1
Operation	EN . . . 2
Maintenance	EN . . . 3
Transport	EN . . . 3
Storage	EN . . . 3
EC Declaration of Conformity	EN . . . 3

General notes

Dear Customer,



Please read and comply with these original operating instructions prior to the initial operation of your product and store them for later use or subsequent owners.

Proper use

This product has been designed for use in private households and is not intended for commercial use.

The manufacturer is not responsible for any damages that may occur on account of improper use or wrong operations.

This product is an automatic hose box that allows for even unrolling of the garden hose. After use, the hose can be recoiled automatically by one simple pull. The box is mounted to the wall with the enclosed wall mount. It has a variable swivel range of up to 180 degrees.

Environmental protection



The packaging material can be recycled. Please do not place the packaging into the ordinary refuse for disposal, but arrange for the proper recycling.



Old appliances contain valuable materials that can be recycled. Please arrange for the proper recycling of old appliances. Please dispose your old appliances using appropriate collection systems.

Notes about the ingredients (REACH)

You will find current information about the ingredients at:

www.kaercher.com/REACH

Warranty

The warranty terms published by our competent sales company are applicable in each country. We will repair potential failures of your product within the warranty period free of charge, provided that such failure is caused by faulty material or defects in fabrication. In the event of a warranty claim please contact your dealer or the nearest authorized Customer Service center. Please submit the proof of purchase.

Symbols in the operating instructions

Caution

Possible hazardous situation that could lead to mild injury to persons or damage to property.

Safety instructions

Caution

The non-compliance with safety instructions may lead to damages of the product and to dangers for the operator and other persons.

- To avoid risks, all repairs and replacement of spare parts may only be carried out by the authorised customer service personnel.
- This product is not intended for use by persons (including children) with limited physical, sensoric or mental capacities or lack of experience and/or skills, unless such persons are accompanied and supervised by a person in charge of their safety or if they received precise instructions on the use of this product. Children should be supervised to prevent them from playing with the product.

Operation

Product description

- 1 Hose coupling
- 2 Stopper / retract
- 3 Hose
- 4 Stopper
- 5 Metal bow
- 6 Handle
- 7 Wall mount
- 8 Fastening material
- 9 Tap connection with reduction fitting
- 10 Padlock (not included in the delivery)
- 11 Accessory compartment
- 12 Connection hose
- 13 Carrying handle
- 14 Spray nozzle

Preparing the Appliance

Illustration A

- Mark the bores to mount the wall mount and place dowels into the drilled bores.
- Fasten the wall mount using the included washers and screws.

Illustration B

- Place the hose box flush with the metal bow and hook it in. Make sure that all 4 screw heads protrude from the hook holes.

Slide the metal bow downwards vertically all the way.

Illustration C

- Attach the accessories holder to the bottom side of the metal bow.

Illustration D

- To change the swivel range, pull the left or the right stop toward the outside and swivel the hose box into the desired position.

(The swivel range of the hose box can be swivelled in 30°-steps.)

Let the stop lock in in the desired position.

Illustration E

- Loosen both screws on the stopper.

- Slide the stopper to the desired position and screw it in.

Illustration F

- The product can be protected against theft. Use the padlock for this.

Operation

Note

Make sure the hose has free return play. It should not be too dirty when it is coiled to ensure the proper function of the automatic retraction/recoiling.

- Connect the connecting hose to the water tap.
- Open tap.

Unroll the hose

- Pull the hose out to the desired length. The stop function of the hose box can be activated in < 50 cm-steps and can be noticed by a clicking sound.
- Attach the Kärcher garden accessories to the hose coupling.

Coil the hose

- Trigger the automatic recoiling function by briefly pulling on the hose.
- The garden hose is coiled up evenly.

Finish operation

- Turn off tap.

Maintenance

Caution

*The hose box may not be opened.
Repair work on the product may only be performed by the authorized customer service.*

Proceed as follows to replace the connecting hose:

- ➔ Remove the side panel and loosen the hose clamp using a screwdriver.
- ➔ Pull out the hose.

The product is maintenance-free.

Transport

Caution

In order to prevent accidents or injuries, keep in mind the weight of the appliance when selecting a storage location for it.

When transporting by hand

- ➔ Lift the appliance at the handle, remove it from the wall mount and transport it.

Storage

Illustration

- ➔ If the connecting hose is separated from the water source, it can be coiled around the extracted hose holder.
- ➔ If necessary, store Kärcher garden accessories directly on the accessory holder.

Ensure that the hose is completely drained prior to storing it. The water is best drained by uncoiling the entire hose. The sprayer must be open during this procedure.

Storing the Appliance

Caution

In order to prevent accidents or injuries, keep in mind the weight of the appliance when selecting a storage location for it.

- ➔ Store the appliance in a frost free area.

EC Declaration of Conformity

We hereby declare that the machine described below complies with the relevant basic safety and health requirements of the EU Directives, both in its basic design and construction as well as in the version put into circulation by us. This declaration shall cease to be valid if the machine is modified without our prior approval.

Product: Hose box
Type: 2.645-xxx

Relevant EU Directives

2006/42/EC (+2009/127/EC)

Applied harmonized standards

EN ISO 12100

Applied national standards

-

The undersigned act on behalf and under the power of attorney of the company management.



H. Jenner
CEO



S. Reiser
Head of Approbation

Authorised Documentation Representative
S. Reiser

Alfred Kärcher GmbH Co. KG
Alfred-Kärcher-Str. 28 - 40
71364 Winnenden (Germany)
Phone: +49 7195 14-0
Fax: +49 7195 14-2212

Winnenden, 2011/10/01